



ORIGIN'

SKYLIGHT INTEGRATION KIT

THE ADVANTAGES



Easy to install:

reduced installation time, a perfect seal between the kit and the roofing

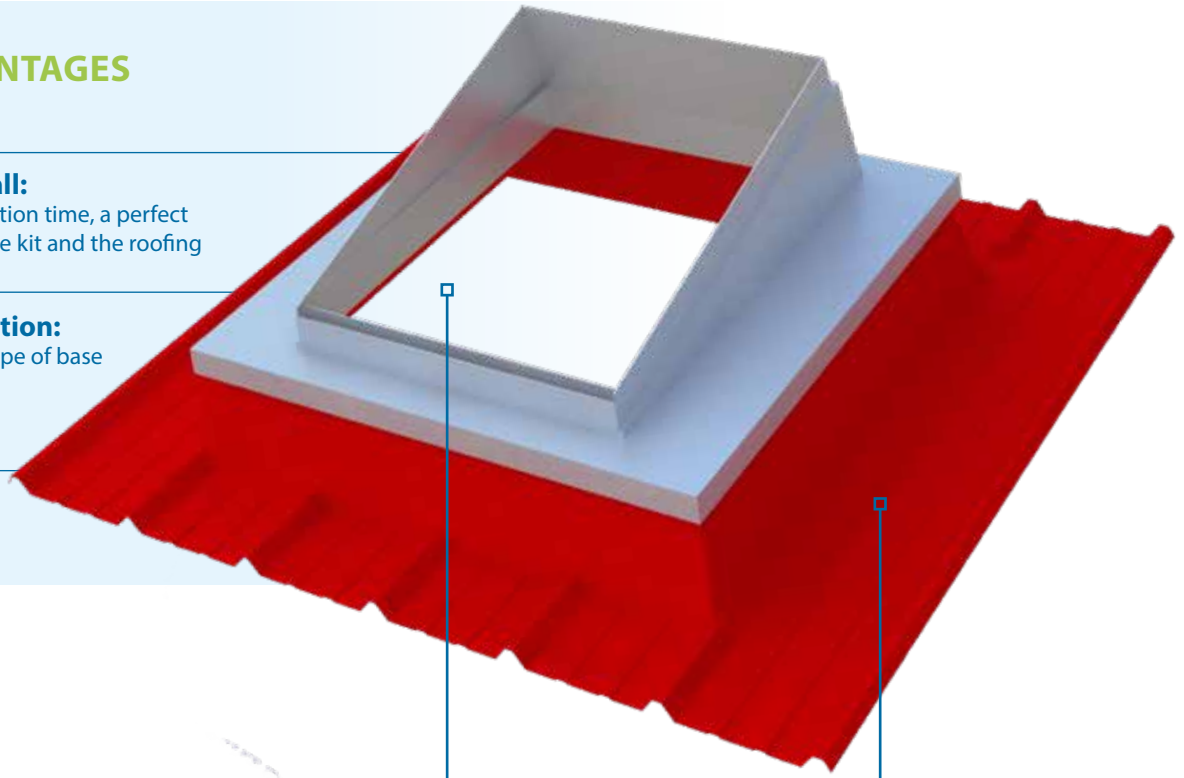


Easy integration:

adapts to any type of base



Insulated kit



SKYLIGHT



KERB

• Polyester base with insulated kerb

The SKYDÔME® skylight integration kit (IFDT) is designed to be fitted with a skylight (central rotation only) to adapt it to a sheeted roof or sandwich panel. This kit is composed of a polyester base with insulated kerb for optimum integration of a skylight, providing a discreet, aesthetic appearance.

OPTIONS

- Available in compact version with no slope adjustment
- Choice of RAL colours

RAL colours on outer walls

- Standard shade

RAL 9010*

- RAL colours without added-value**

RAL 5008

RAL 7015

RAL 7022

RAL 8012

*Inside RAL colour in RAL 9010 only
**Other colour: contact us



• VENTILATION
• DAYLIGHTING

SUBSTRATE:
Sheeted roof /
Sandwich panel

SKYLIGHT INTEGRATION KIT

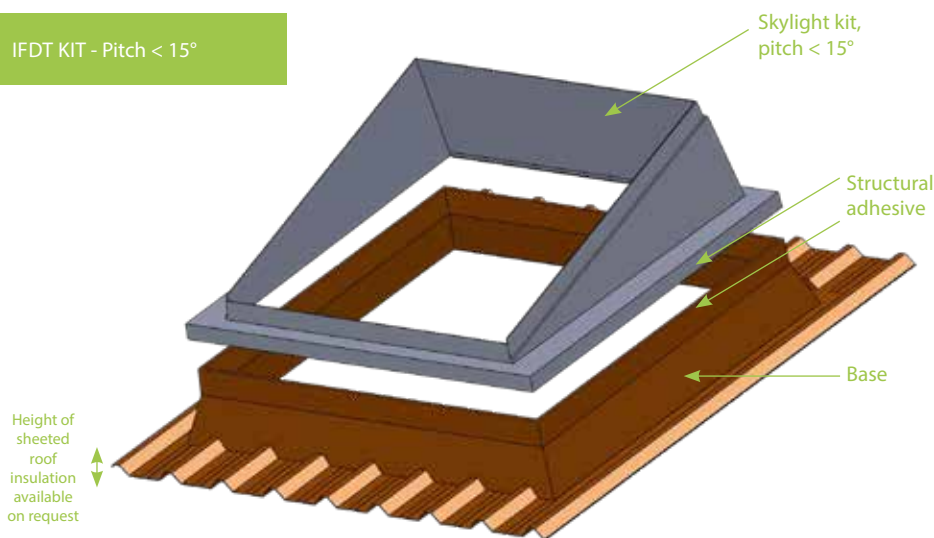
— GEOMETRICAL DIMENSIONS

Dimensions* (cm)	Roof pitch	Height	Lighting surface area
78 x 98	< 15° or ≥ 15° and < 60°	≈ 330 mm	See skylight manufacturer's data**
114 x 118			
134 x 140			

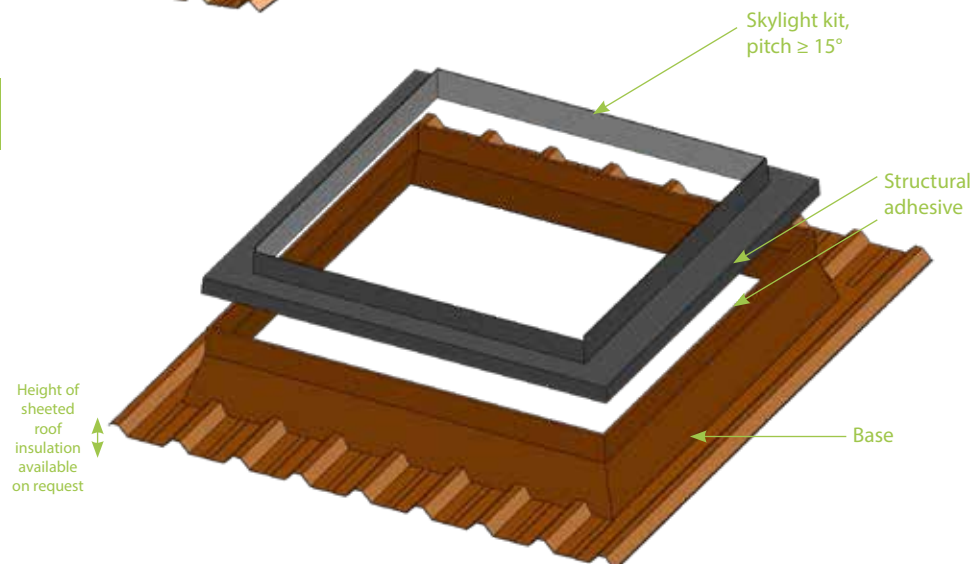
*Contact us for other dimensions. **Skylight not supplied.

— TECHNICAL DIAGRAMS

IFDT KIT - Pitch < 15°



IFDT KIT - Pitch ≥ 15°



Ref: 2018.10/IFDT SKYLIGHT KIT - 10/2018 - Document is not contractual, photos are not contractual.
Photo credits: Fotolia, JF Chapuis, X. The manufacturer reserves the right to change the characteristics of its devices at any time and with no prior notice. - SKYDÔME: +33 (0)3 23 21 79 90

www.skydome.eu

info@skydome.eu

SKYDÔME®

Entre-Deux-Villes
02270 Sons-et-Ronchères - FRANCE
Tel.: +33 (0)3 23 21 79 90 - Fax: +33 (0)3 23 21 79 76